

poggimo

Rev 5.4 19/1/2017

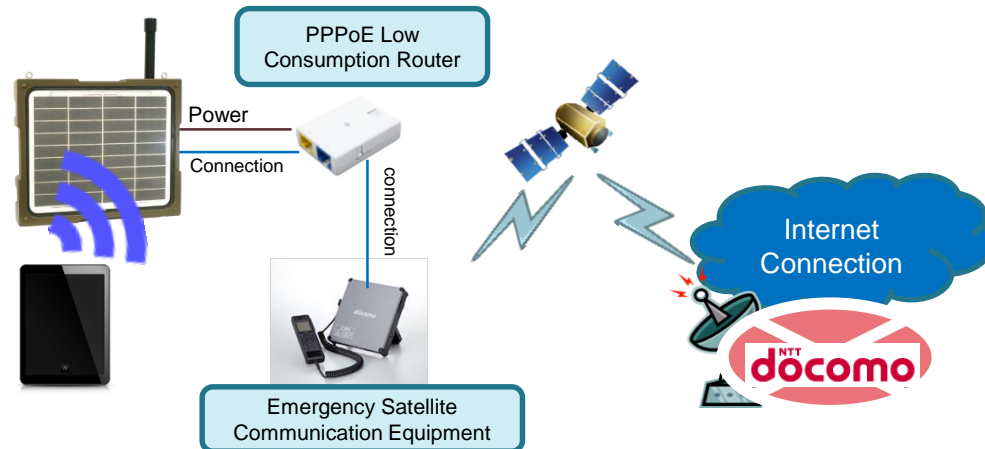
## Examples of poggimo operations

# Disaster Preparedness with Wi-Fi Internet

## Objective

- To help relieve the issue of unavailable communication from lack of basic electric power caused by a natural disaster

We hope available Wi-Fi will let the victims themselves communicate their pressing issues or inform friends/family about their condition.



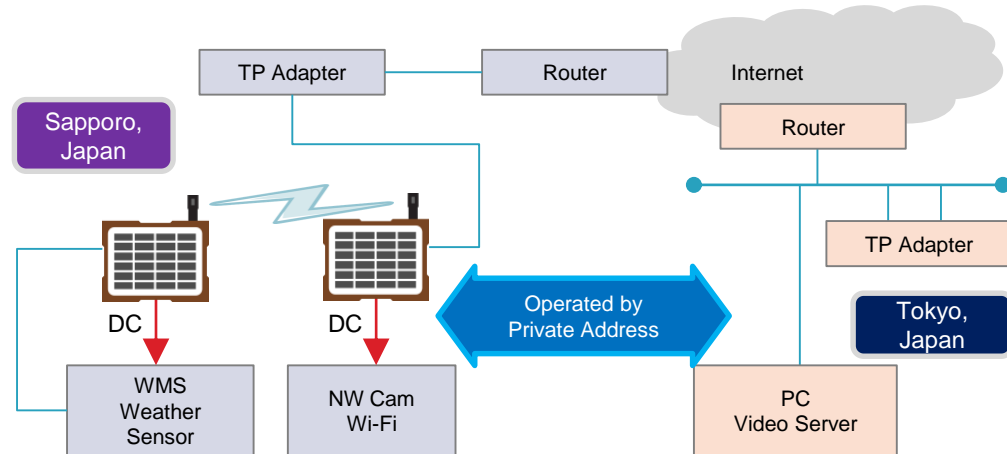
# Weather Monitoring Study



Weather measurement device was connected to a Poggimo on a rooftop

Humidity, Temperature, Atmospheric Pressure, Wind Direction, and Video/Photo are some of the measurements that were taken

## System summary



# Asahikawa Winter Festival



## Introduction

- Asahikawa Winter Festival used a Poggimo device(s) for their event this year

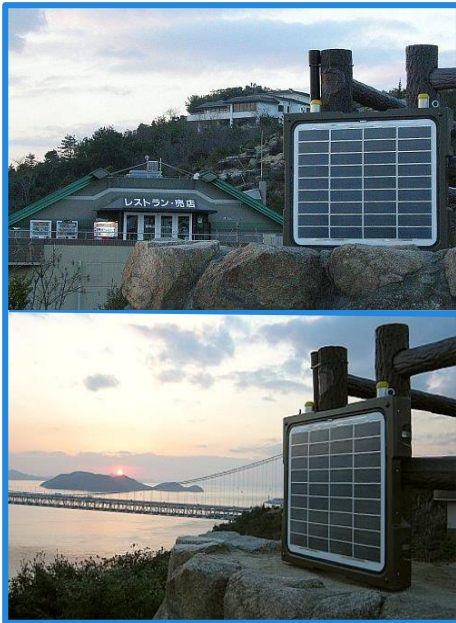
## Details

- Event 2/6 -2/11 of 2015
- All Poggimos were rented from the company
- A captive portal was used to authenticate the connection
- Poggimo service provided all Wi-Fi at the event, both indoor/outdoor

## Results

- Foreign tourists were satisfied with the availability of Wi-Fi access, resulting in good festival reputation
- A total of 953 users connected with the network over the period of the festival

# No Service: National Park Study



## Introduction

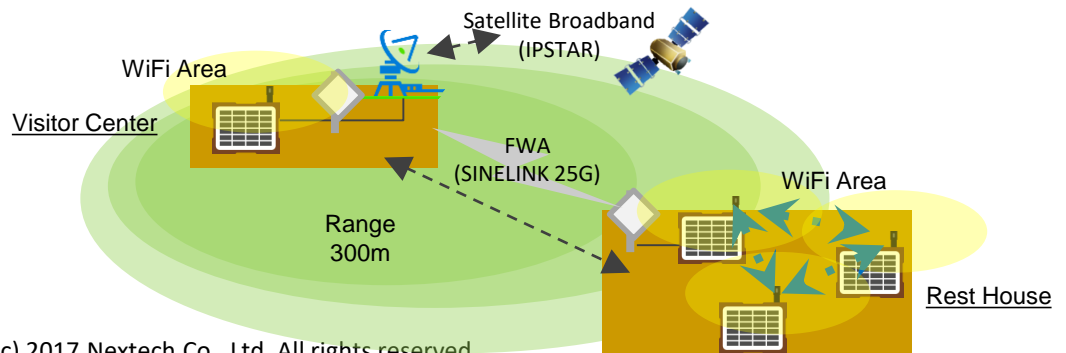
- How to use the Poggimo system from a location with no network service

## Method

- Location: Setonaikai National Park Visitor Center and Rest Area, duration of one month
- Use of satellite broadband equipment to set up LAN connection outdoors
- Simple construction to be as little disruptive to environment as possible
- Set up LAN with 2 Poggimo devices linked together with a 25GHz connection

## Results

- The combination of satellite based LAN connection was functional and setup was very quick. The environment was disrupted very little.
- Both Japanese and Foreign tourists enjoyed the availability of Wi-Fi which made visiting the location more appealing



# Rising Sun Rock Music Festival



## Rising Sun Rock Festival 2014

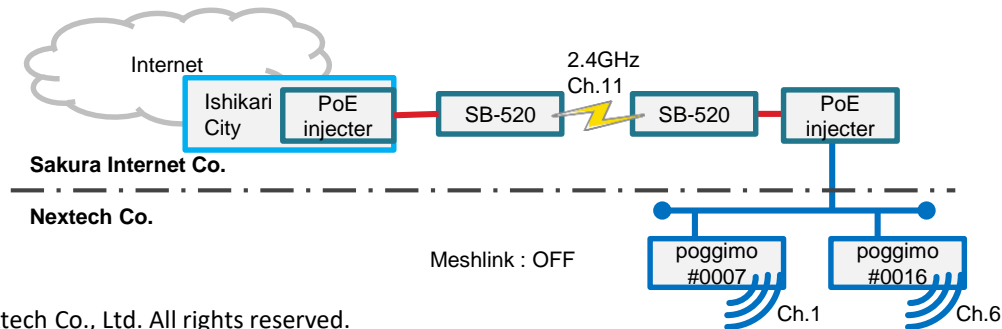
- The festival wanted to provide Wi-Fi closer to the stage for its guests
  - The organizers needed a low cost, quick setup and short term wireless network that catered towards clean energy goals

## Why poggimo?

The Poggimo offered this extension without the need of a power source making the setup simple and cheap. Nextech Corp. partnered with local internet provider, Sakura Internet

## Result

507 unique users connected to the network during the festival  
 Wi-Fi availability gave Rising Sun Rock Festival a great reputation through live social media  
 Learning from the value of the service they repurchased again for 2015





# Tourist Site Applications



## Introduction

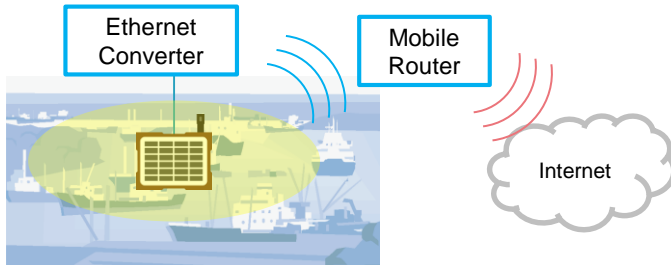
- A large scale vacation cruise stops several times a year at Kushiro Harbor
- Nextech Co. was interesting in testing the Poggimo there

## Method

- Provide free Wi-Fi at the port where customers and crew load/unload
- Provided this internet to survey for 8 hours
- No electrical setup necessary, only a mobile router

## Results

- 200 unique users accessed the internet at this test location
- It took 2 staff workers only 30 mins to setup the Wi-Fi access point
- Lead to sales from The City of Muroran and The City of Otaru



# Tourist Site Applications continued

Following this study two Japanese City Districts have purchased Poggimo devices

## Muroran City

### Tourism

Installed of permanent Wi-Fi hotspots at popular sightseeing destinations

### Emergency

They also own a portable unit in case of emergencies



## Otaru City

### Tourism

Owns a portable Poggimo system for events at the harbour or elsewhere that could benefit from Wi-Fi

